

### Serial Data Transmission

The OTS-8DTR provides for the digital transmission of 8 Channels of Duplex Serial Data.

### System Design

All units come in an insert card version. The cards can be inserted into our 16-slot, 19" rack-mountable card cage (OT-CC-16-100) or one of our smaller Optiva™ Desktop Card Racks (OT-DTCR Series).

The Optiva™ Desktop Card Racks can handle one, two or four insert cards, creating compact, mountable, stand alone systems. The use of separate OT-DTCR enclosures allows for future flexibility and expansion as all cards are hot-swappable and can be used in any enclosure. Each one of our card housing units operate with an appropriate power supply. See "Accessories" for power supply specifications.

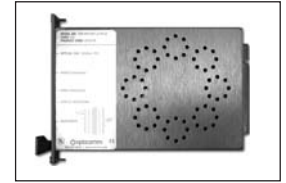
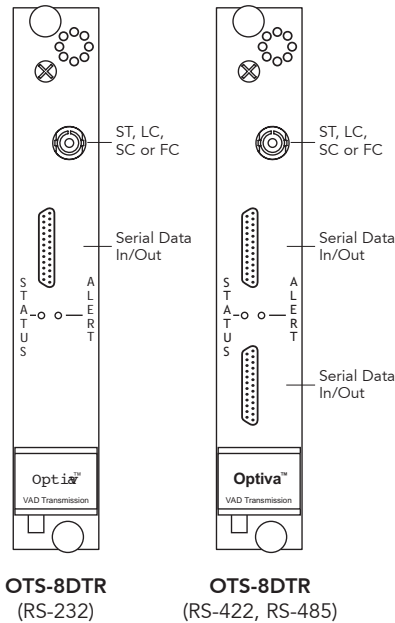
### Optiva™ Upgrade Path

This system can be purchased without an optical port as an add-on to an existing Optiva™ system daisy-chain. (See "Non-Optical Version" below).

**The Optiva™ bandwidth requirement of this system is 72 Mbps.**

Video

Audio



Each insert card comes with a label identifying the specific protocols handled, connector pin-out and other vital information.

For optimal bandwidth allocation, each insert card can daisy-chain with an additional card in the same chassis. See "Optiva™ Upgrade Path".

### Features

- Uncompressed Serial Data over one fiber
- TDM - Single fiber, dual wavelength
- Complies with SMPTE standards for Video and Audio transmission
- Compatible with MDM-7000 Series for WDM and CWDM multiplexing
- No EMI or RFI and no ground loops
- Stand alone or rack-mount

### Versions Available\*

Wavelength (nm) & Fiber	Transmit/Receive**	Receive/Transmit**	Optical Connector	Optical Budget (dB)	Range*** (km)	Form Factor
1310/1550 Multimode	OTS-8DTR-A2/A3M-XX-IC	OTS-8DRT-A3M/A2-XX-IC	ST, FC, LC or SC	10	3	IC (1-slot)
1310/1550 Singlemode	OTS-8DTR-A2/A3-XX-IC	OTS-8DRT-A3/A2-XX-IC	ST, FC, LC or SC	12	20	IC (1-slot)
1310/1550 SM (b)	OTS-8DTR-A2/A3D-XX-IC	OTS-8DRT-A3D/A2-XX-IC	ST, FC, LC or SC	17	40	IC (1-slot)
1310/1550 SM (H)	OTS-8DTR-A2/A3H-XX-IC	OTS-8DRT-A3H/A2-XX-IC	ST, FC, LC or SC	25	60	IC (1-slot)
1270-1610 SM (CWDM)	OTS-8DTR-L4/L4-XX-IC	OTS-8DRT-L4/L4-XX-IC	ST, FC, LC or SC	Varies	20-70	IC (1-slot)
<b>Non-Optical Version</b>	OTS-8DTR-NOC-IC	OTS-8DRT-NOC-IC	N/A	N/A	N/A	IC (1-slot)

Serial Data Codes - "D" indicates RS-232. For other Serial Data preferences, please use: "DJ" = RS-422; "DK" = RS-485 (2W); and "DW" = RS-485 (4W).

\* Contact Opticomm for other versions available.

\*\* XX indicates the type of optical connector. Each of ST, FC, LC or SC are available.

\*\*\* Chromatic dispersion and additional losses should be taken into account.

# Data (Ethernet/Serial/USB)

## Data

Connector	Micro DB25
<b>RS-232, RS-422</b>	Data Rate
	DC to 1 Mbps
<b>RS-485 (2 Wire)</b>	Data Rate
	DC to 1 Mbps
<b>RS-485 (4 Wire)</b>	Data Rate
	DC to 1 Mbps
<b>Contact Closure</b>	Data Rate
	DC to 1 Mbps

## General

Dimensions & Weight	Insert Card (IC): 6.3" L x 0.8" W x 4.0" H	11 oz
	Operating temperature	-20° C to +55° C
Storage temperature		-40° C to +85° C
Humidity		0 to 95% non-condensing
Operating voltage		9-12 V <sub>DC</sub>
Consumption		1 Amp Max per Insert Card
System Latency		Less than 1ms

**Local Monitoring** LED Status Indication

**Remote Monitoring** Compatible with OptivaView™  
SNMP Management Suite

Optiva™ Configurable  
Communication Platform

Network Management

SDI & HD-SDI

Composite Video,  
Audio & Data

RGB/VGA/DVI

Audio/FSK/Intercom

Data (Ethernet/Serial/USB)

CATV/RF & L-Band

Optical Switching, Routing  
& Redundancy

Passive Multiplexing  
Solutions

Enclosures, Racks  
& Frames

Power Supplies  
& Accessories

**10** **ISO**  
**YEAR** **9001:2000**  
**WARRANTY** **CERTIFIED**



**FCC** PART 15  
COMPLIANT

MADE IN THE USA

## Sample Configuration

